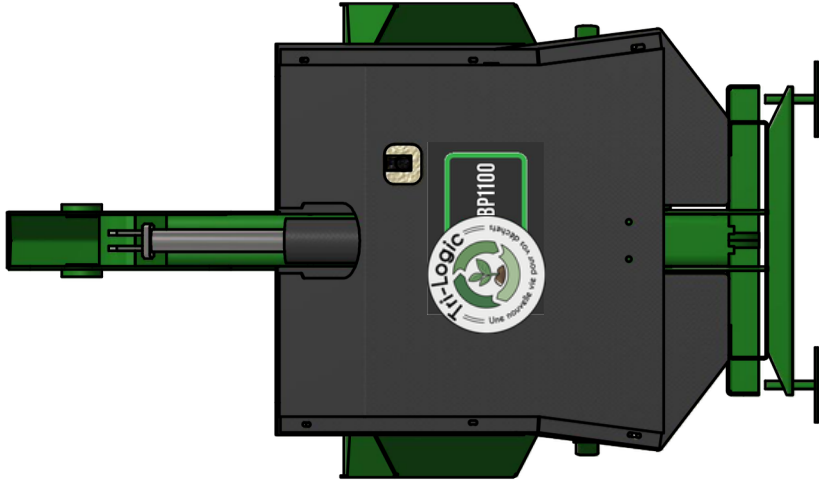
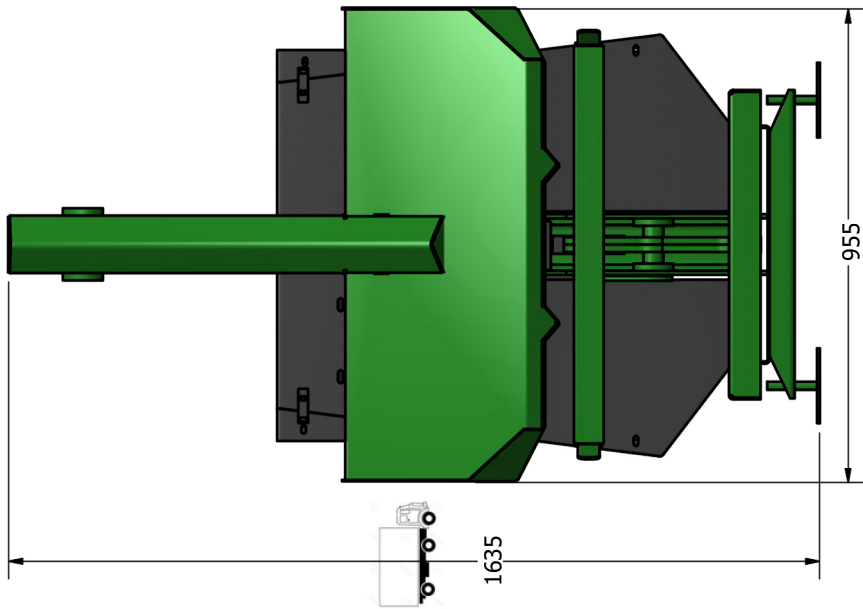
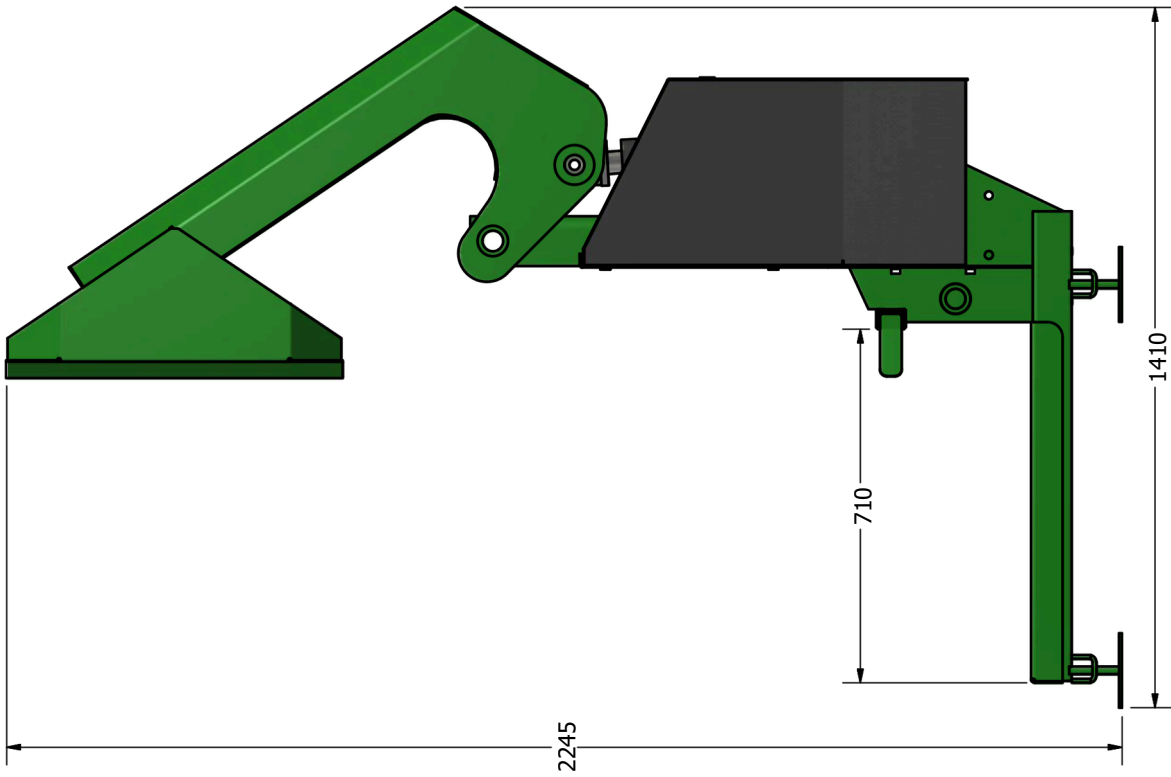


THIRD ANGLE PROJECTION



|                |        |
|----------------|--------|
| MODEL CODE     | BP1100 |
| MACHINE WEIGHT | 285 KG |
| NOISE LEVEL    | 70 dB  |