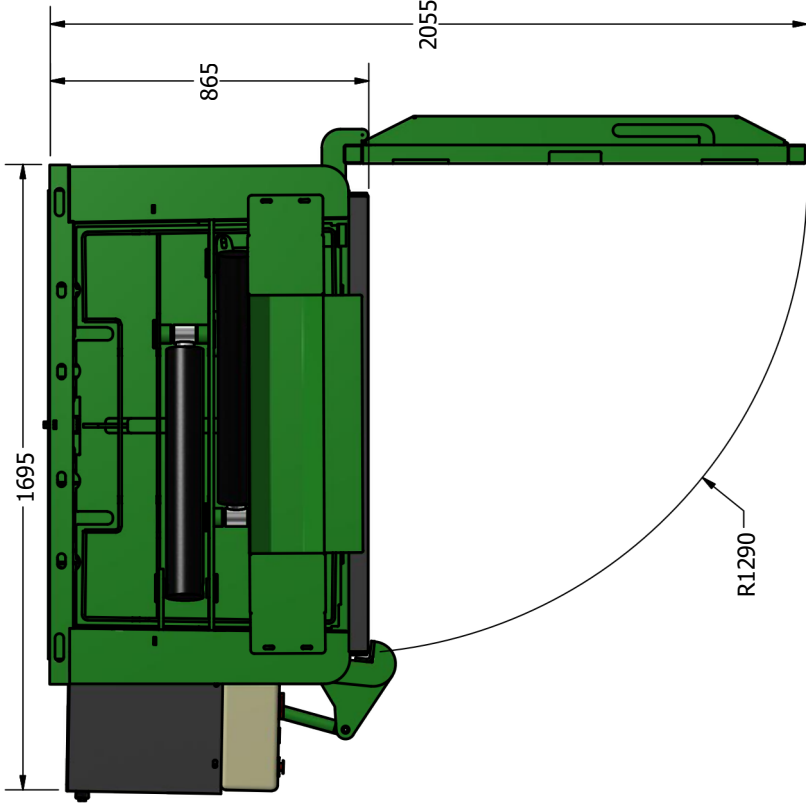
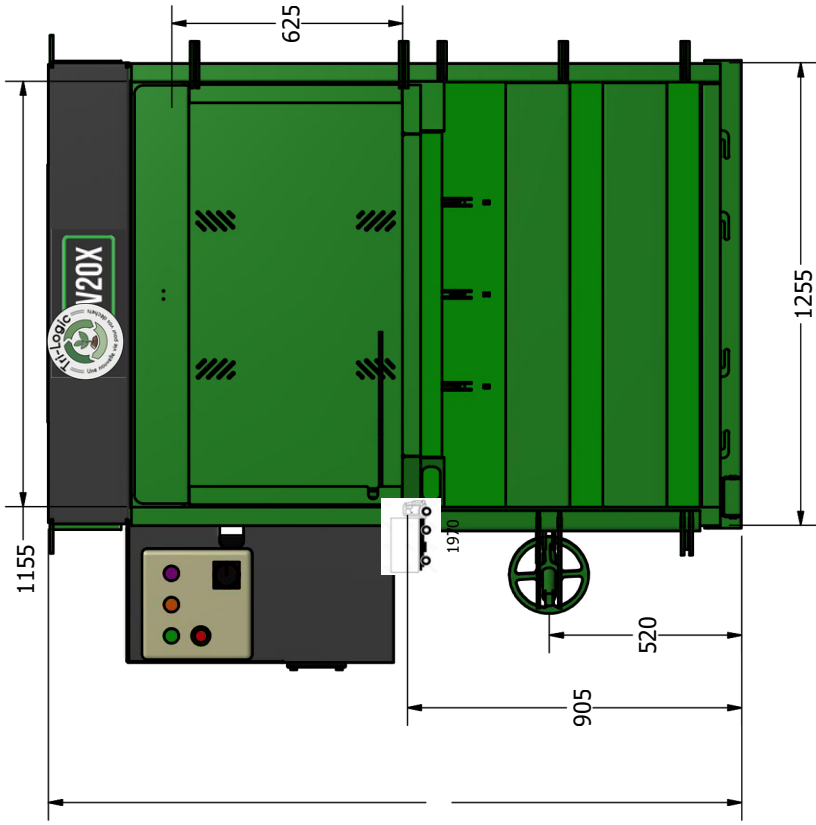
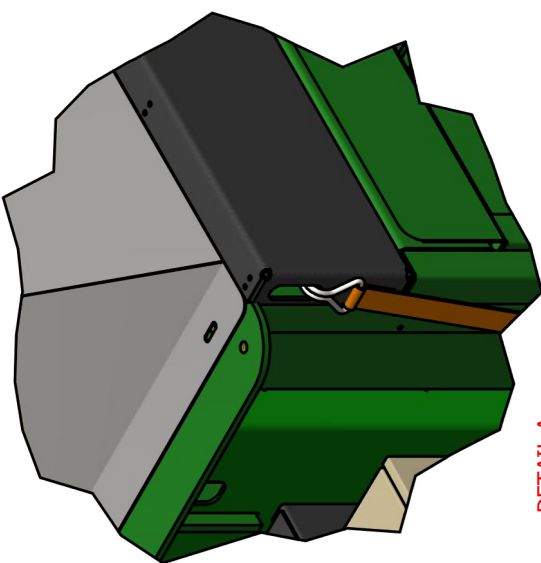
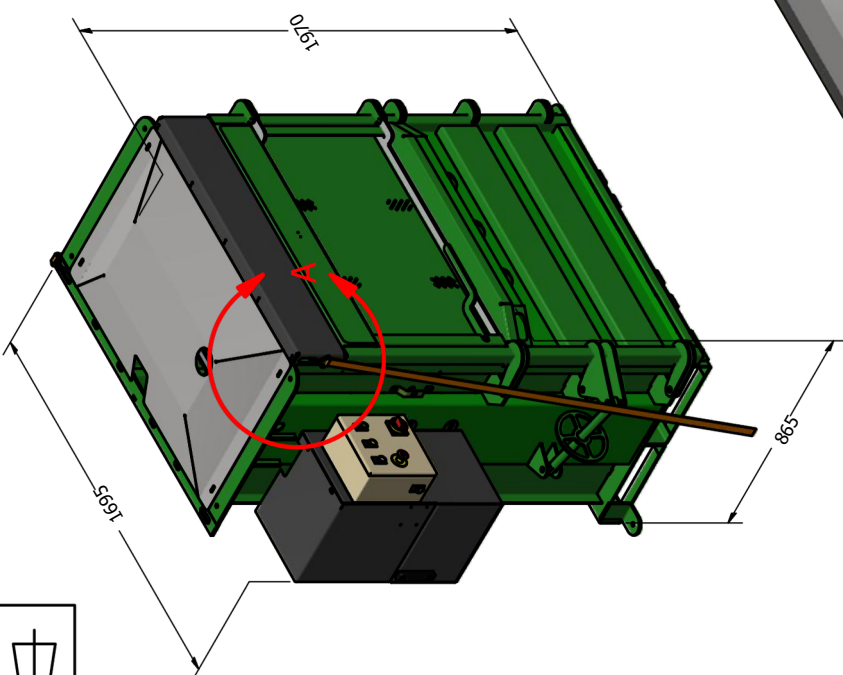




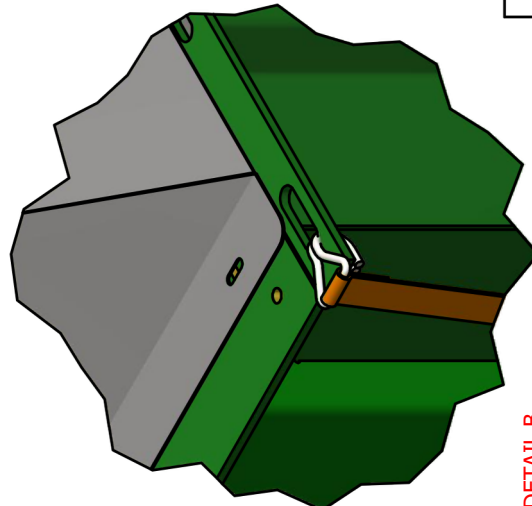
THIRD ANGLE PROJECTION



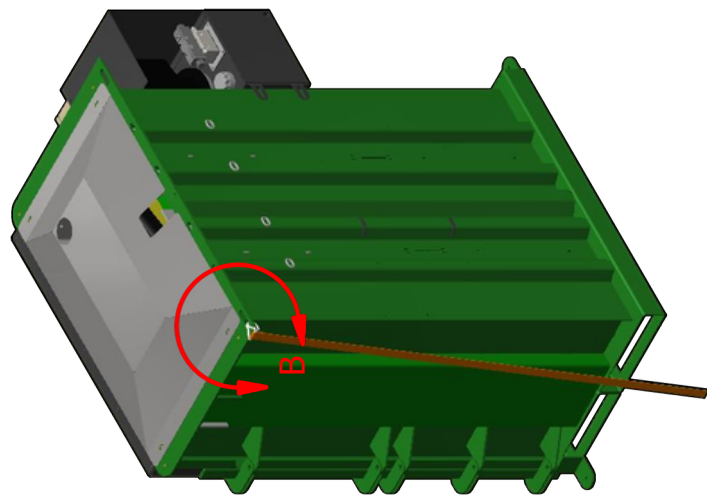
MODEL CODE	V20X
MACHINE WEIGHT	980 Kg
NOISE LEVEL	74 dB




DETAIL A
SCALE 0.15 : 1



DETAIL B
SCALE 0.2 : 1



	
MODEL CODE	V20X
MACHINE WEIGHT	985 KG
RATCHET STRAPS REQUIRED	2