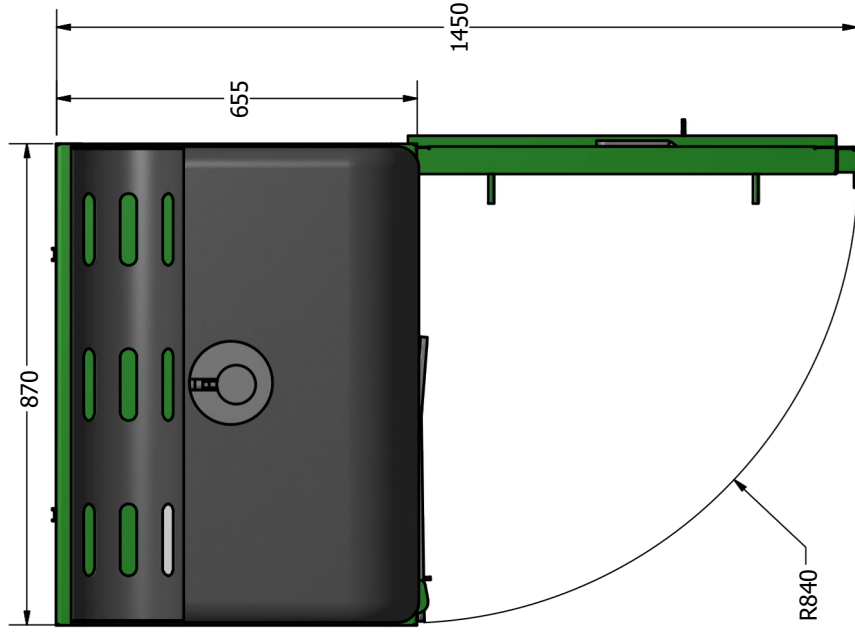
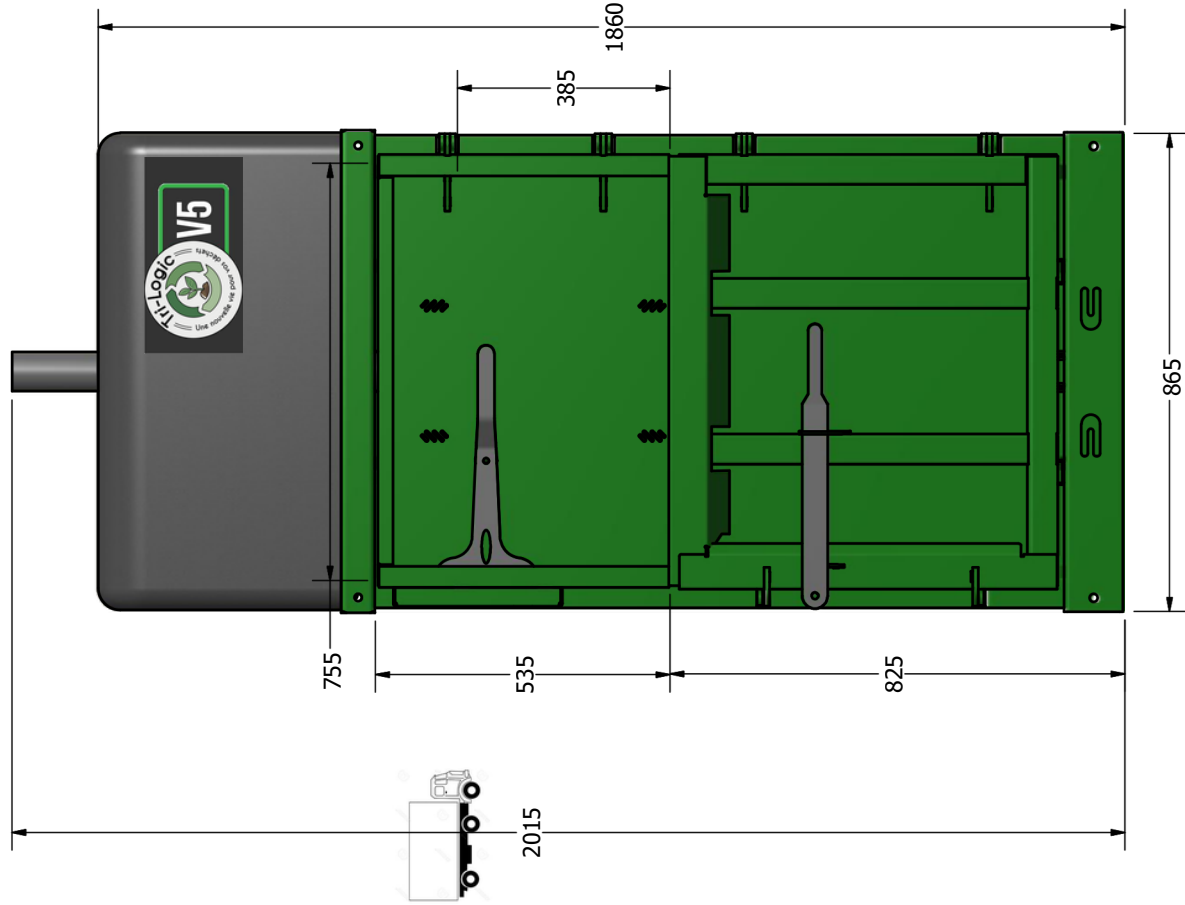


THIRD ANGLE PROJECTION



MODEL CODE

V5

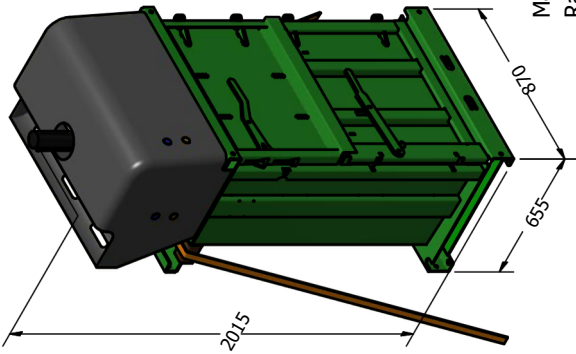
MACHINE WEIGHT

340 KG

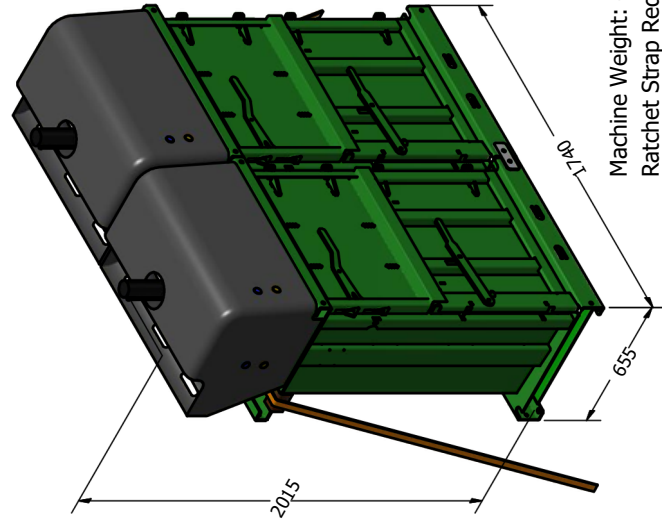
NOISE LEVEL

70 dB

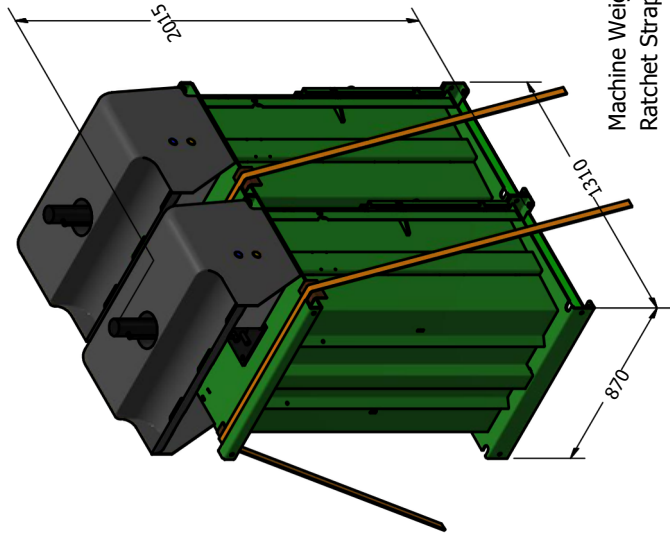
THIRD ANGLE PROJECTION



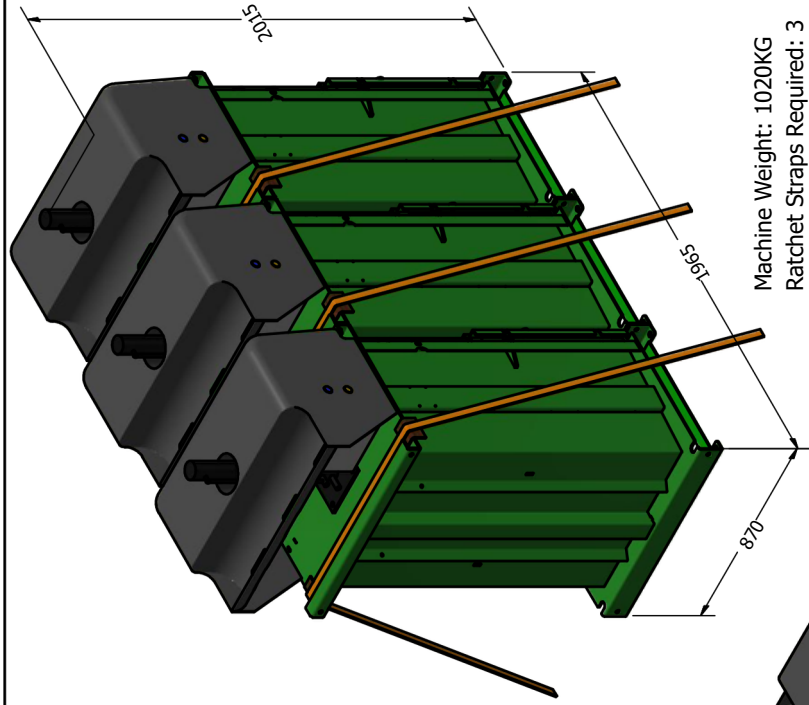
Machine Weight: 340KG  
Ratchet Strap Required: 1



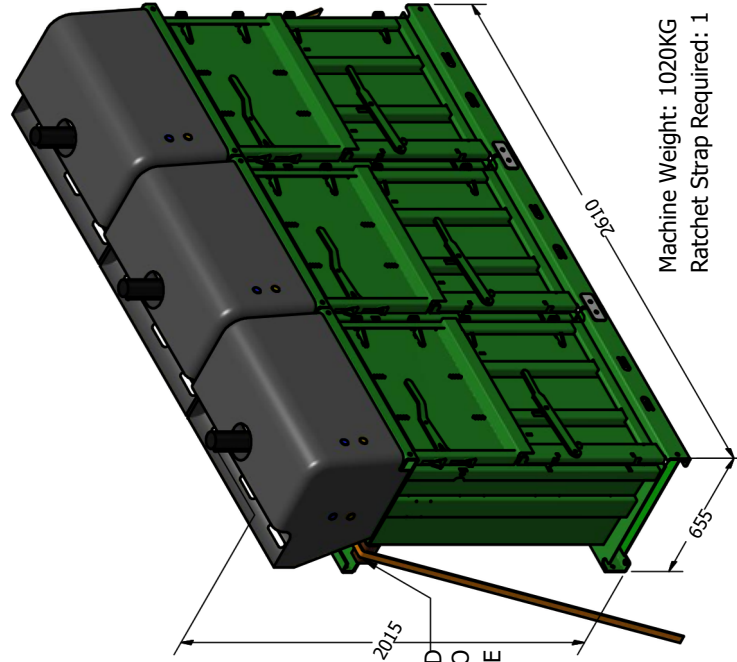
Machine Weight: 680KG  
Ratchet Strap Required: 1



Machine Weight: 680KG  
Ratchet Straps Required: 2



Machine Weight: 1020KG  
Ratchet Straps Required: 3



Machine Weight: 1020KG  
Ratchet Strap Required: 1

USE A PIECE OF CARDBOARD  
TO PREVENT DAMAGE TO  
THE MACHINE



MODEL CODE

V5

MACHINE WEIGHT

As Per Drawing

RATCHET STRAP REQUIRED

As Per Drawing