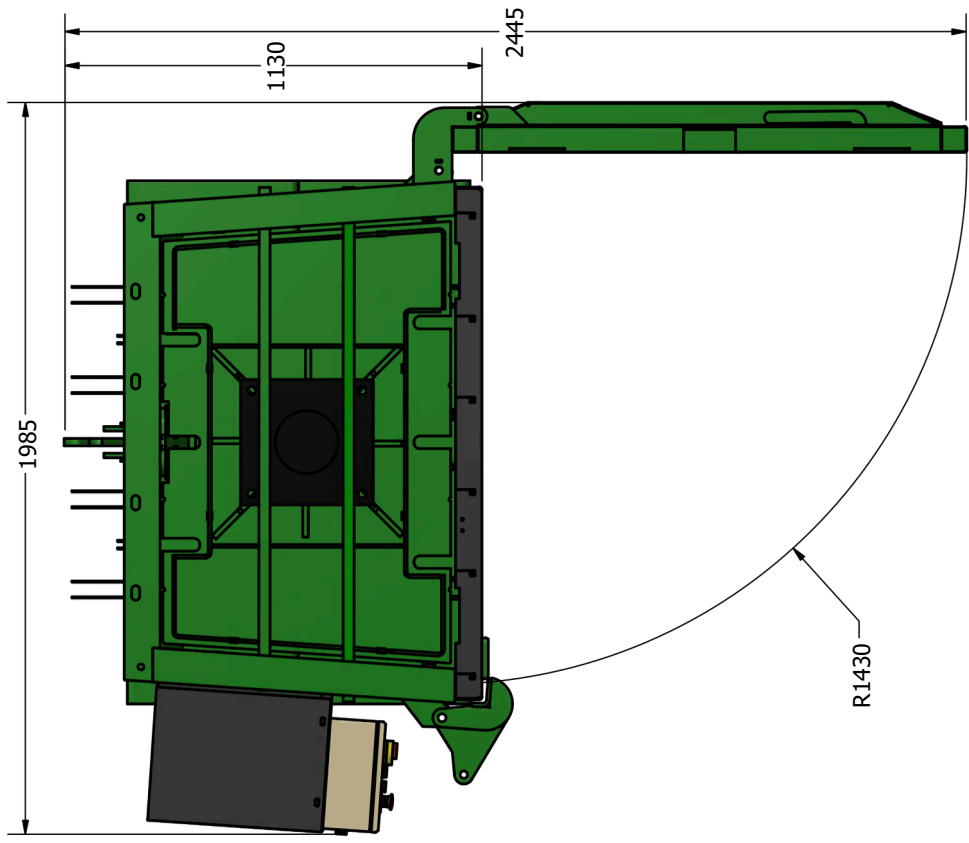
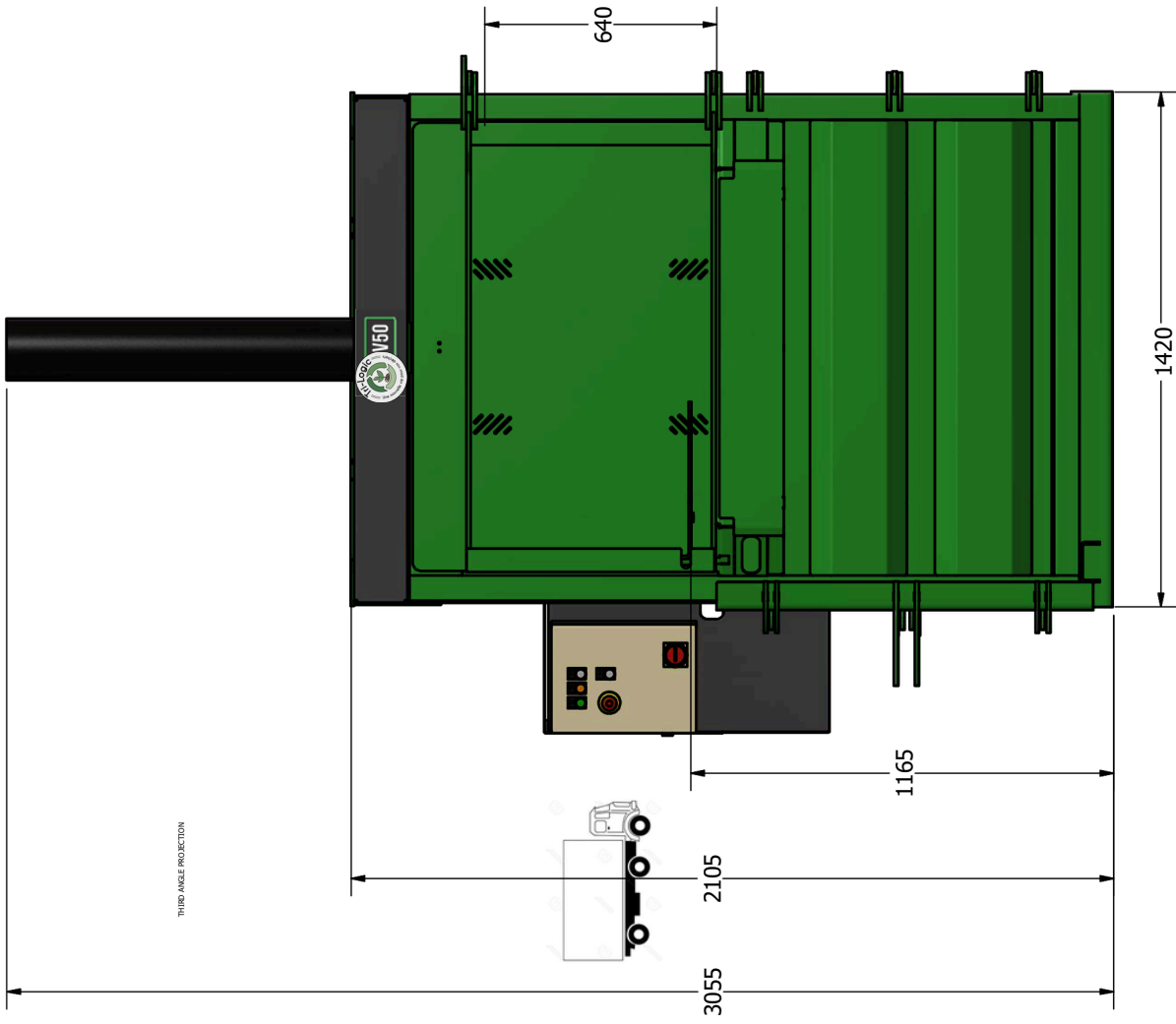


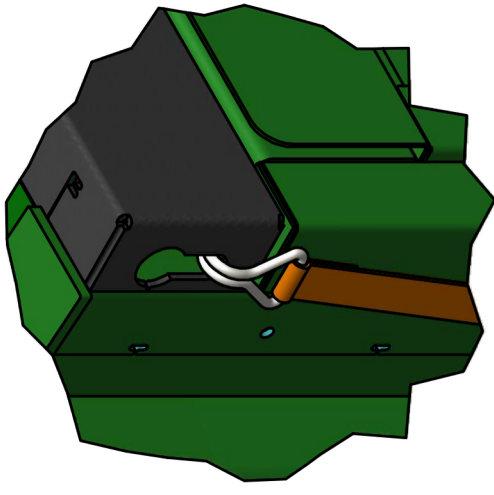
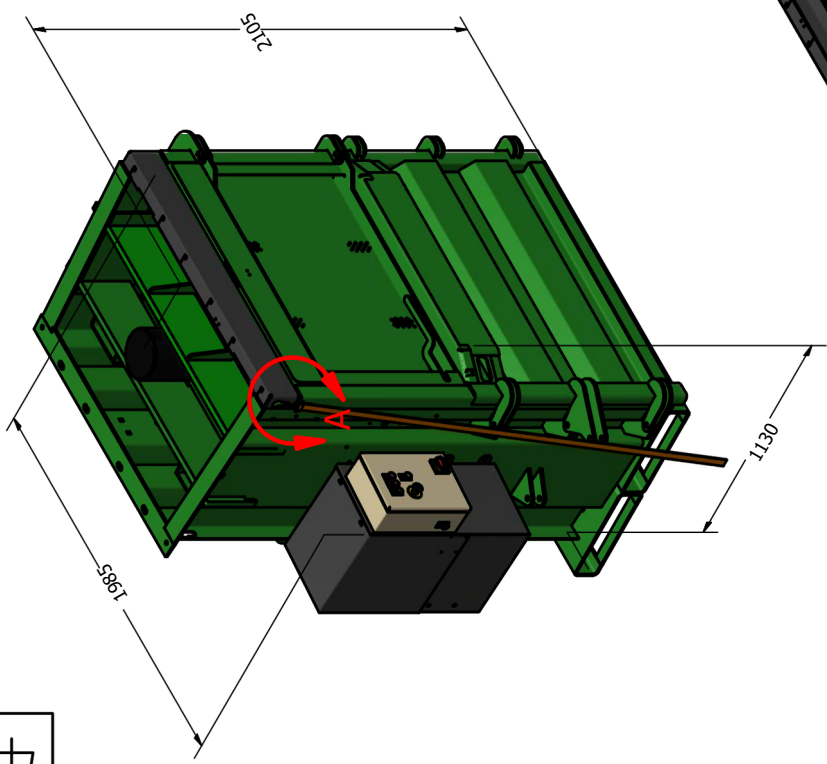


THIRD ANGLE PROJECTION

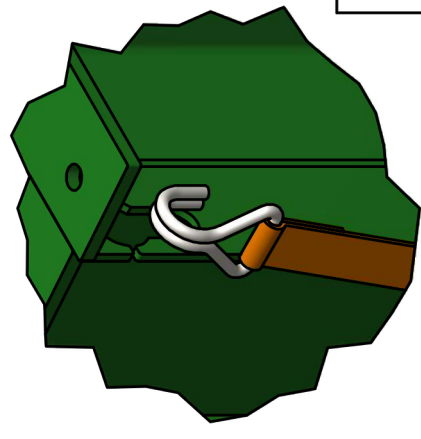
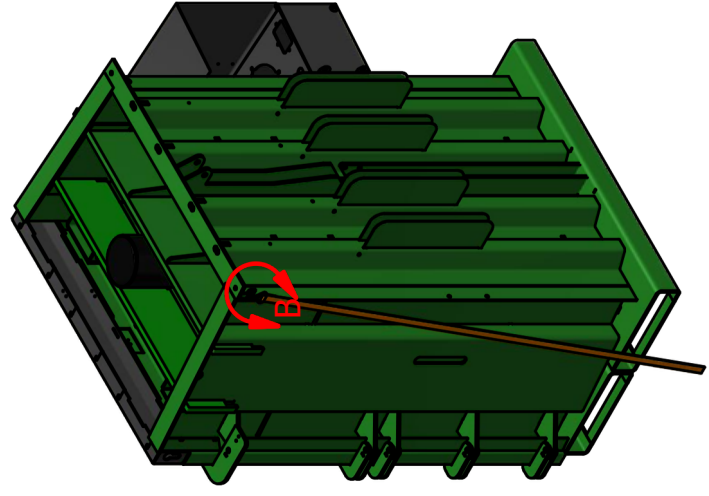


MODEL CODE	V50
MACHINE WEIGHT	1870 KG
NOISE LEVEL	74 dB

THIRD ANGLE PROJECTION



DETAIL A
SCALE 0.25



DETAIL B
SCALE 0.3



MODEL CODE

V50

MACHINE WEIGHT

1870KG

RATCHET STRAPS REQUIRED

2