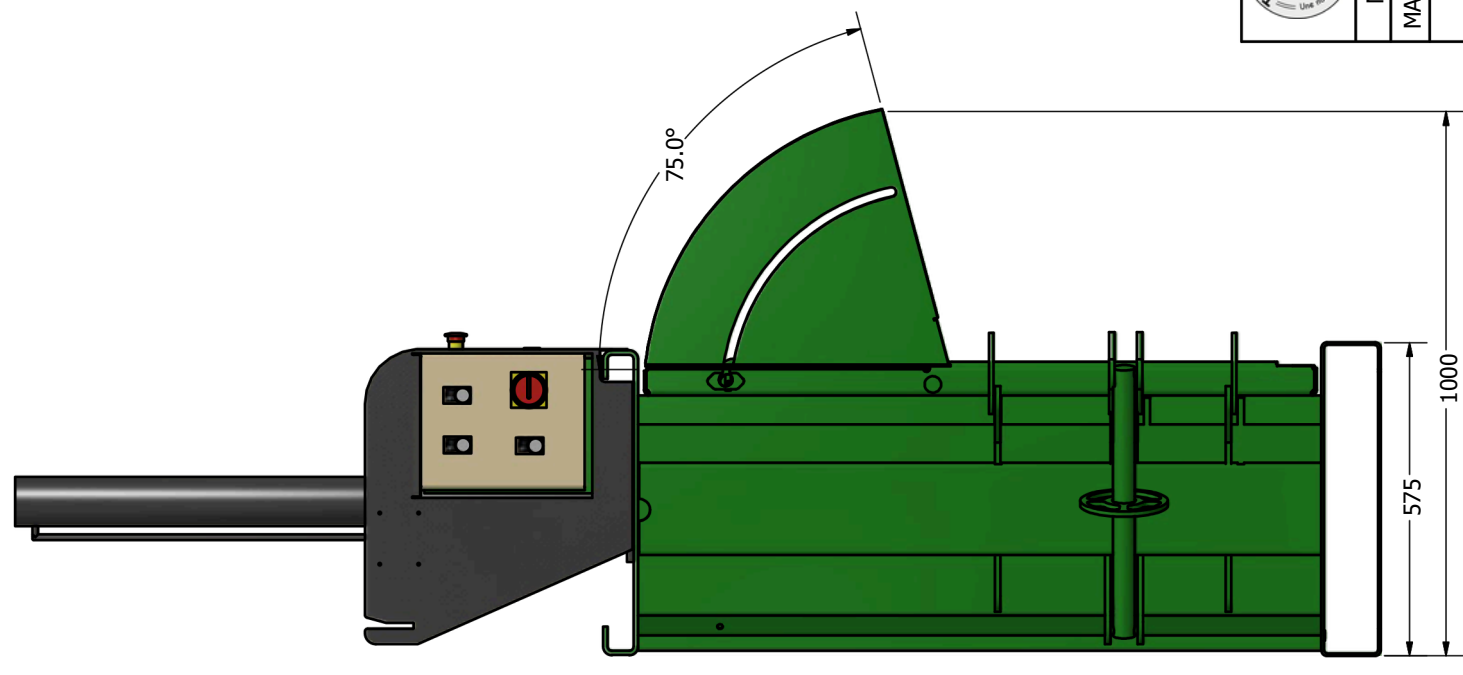
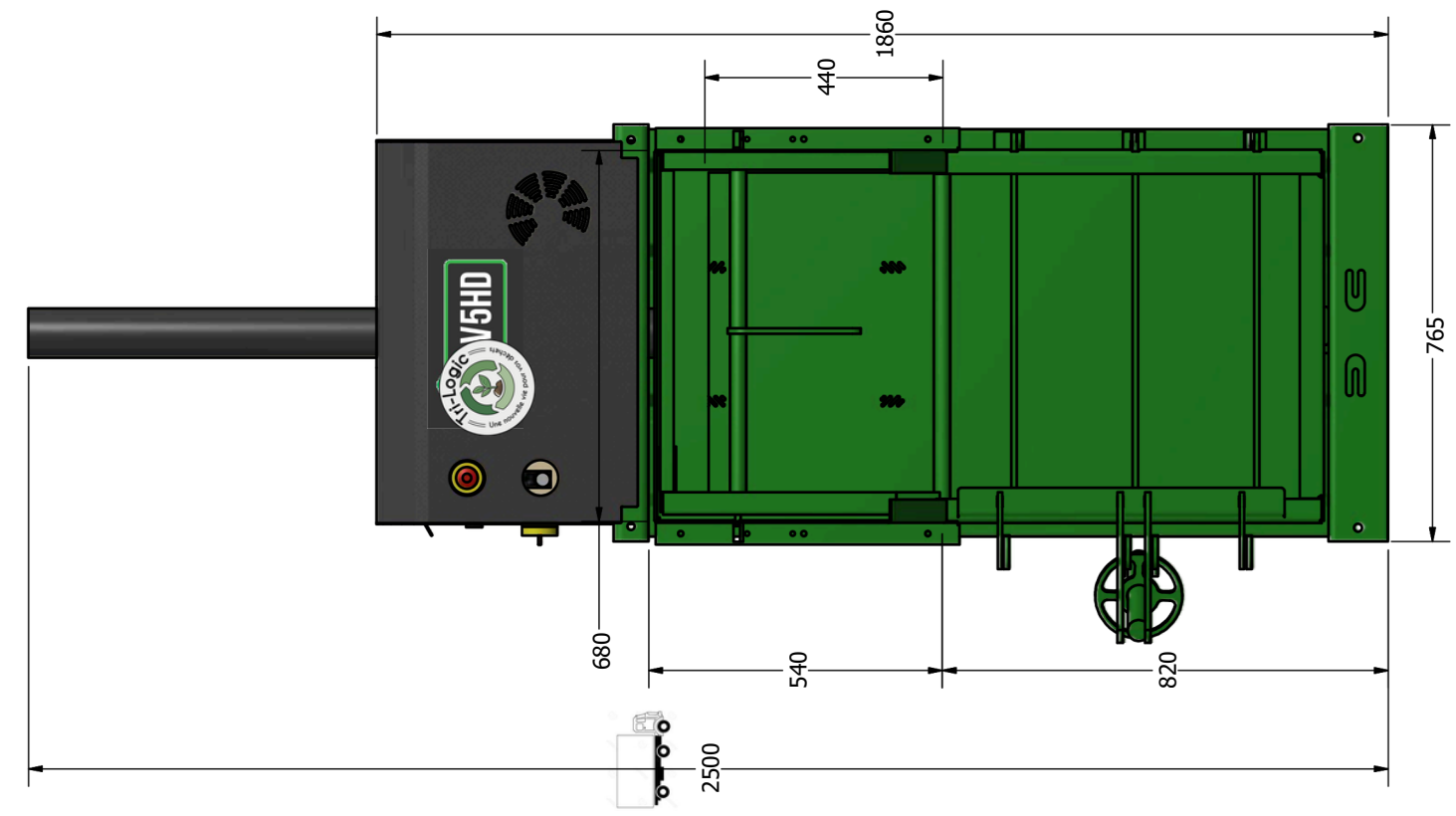


THIRD ANGLE PROJECTION

MODEL CODE	V5HD
MACHINE WEIGHT	415 Kg
NOISE LEVEL	78 dB